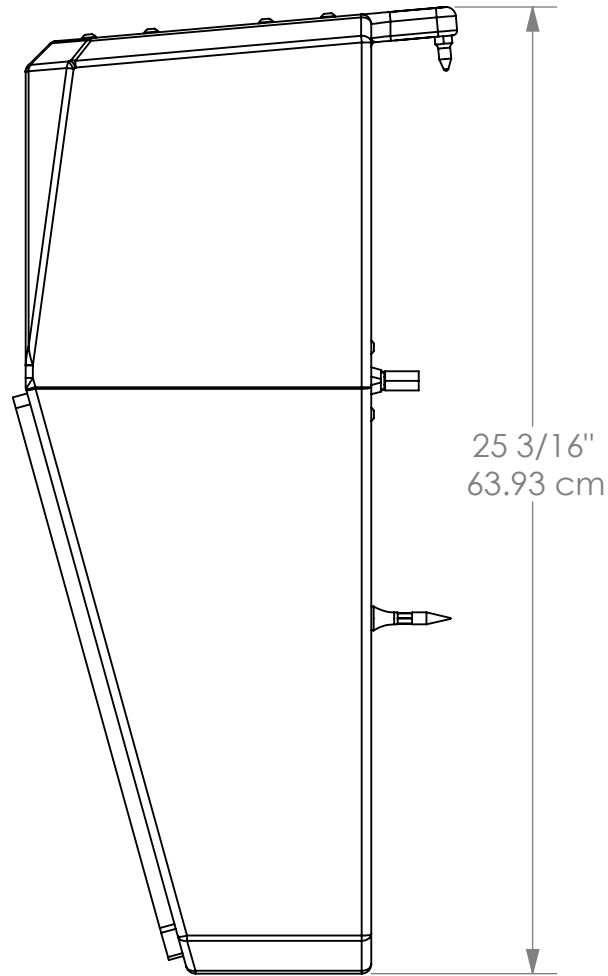
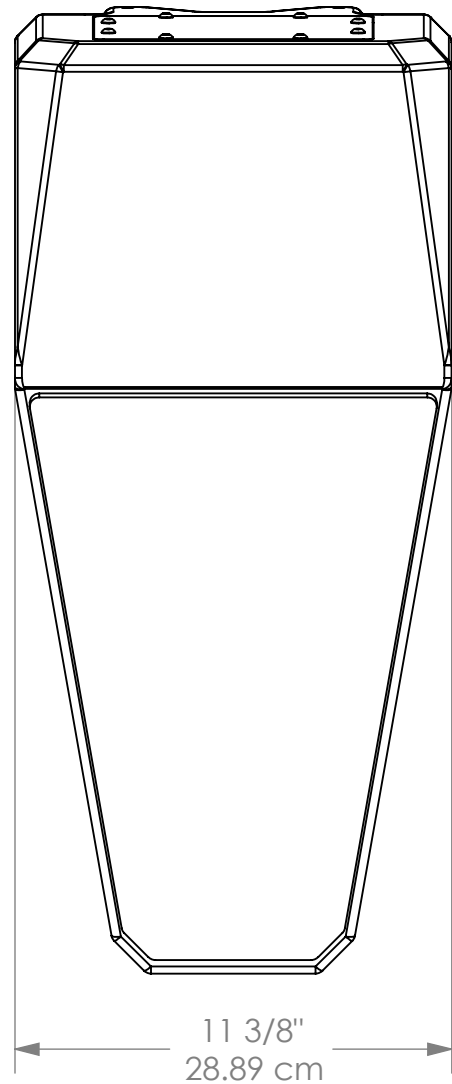
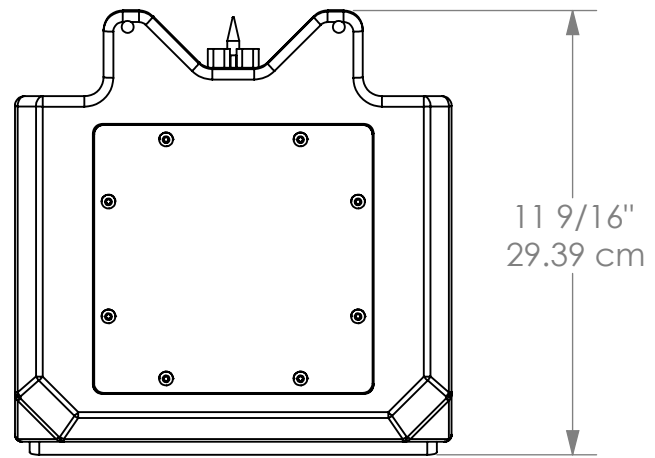


THE INFORMATION CONTAINED IN THIS DRAWING IS THE SOLE PROPERTY OF WILSON AUDIO SPECIALTIES ANY REPRODUCTION IN PART OR WHOLE WITHOUT THE WRITTEN PERMISSION OF WILSON AUDIO SPECIALTIES IS PROHIBITED.

REVISIONS			
REV.	DESCRIPTION	DATE	APPROVED



UNLESS OTHERWISE SPECIFIED
DIMENSIONS ARE IN INCHES
TOLERANCES ARE:
FRACTIONS DECIMALS ANGLES
+ - 1/32 .035 .5 _
_ _ _

MATERIAL
FINISH
DO NOT SCALE DRAWING

CAD GENERATED DRAWING,
DO NOT MANUALLY UPDATE

APPROVALS	DATE
DRAWN BS	
CHECKED	
RESP ENG	
MFG ENG	
QUAL ENG	

WILSON AUDIO
Engineering Dept.

DWG. Name
Surround 2 Dimensions

SIZE	DWG. NO.	REV.
Scale 1:8	CAD FILE:	SHEET 1 OF 1