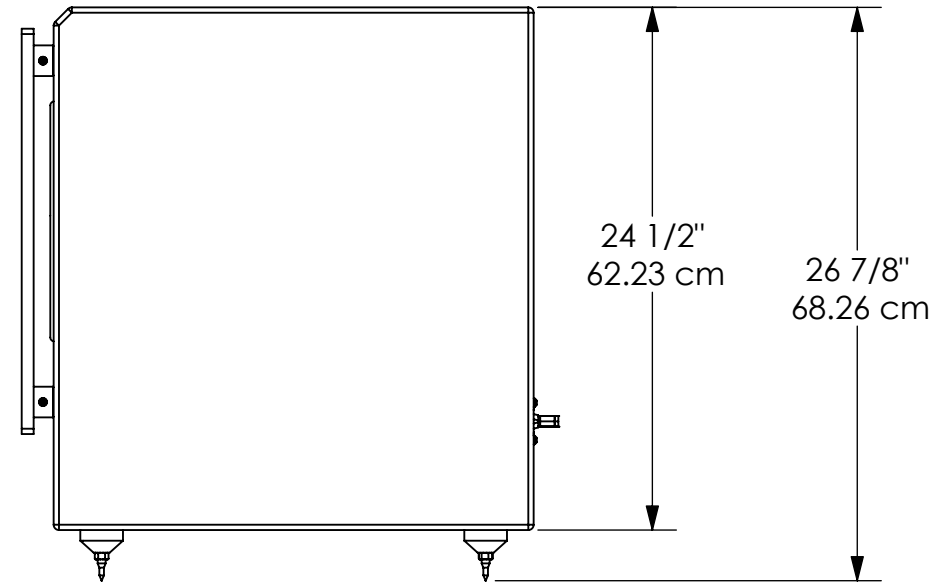
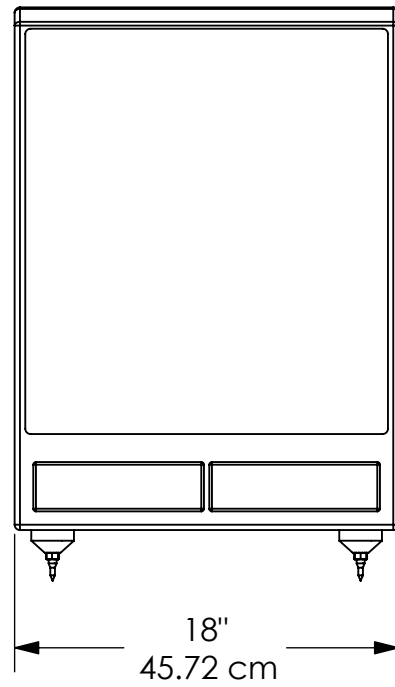
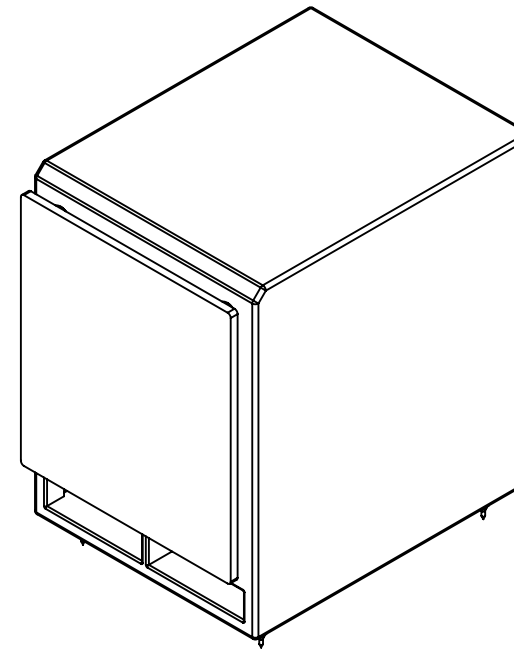
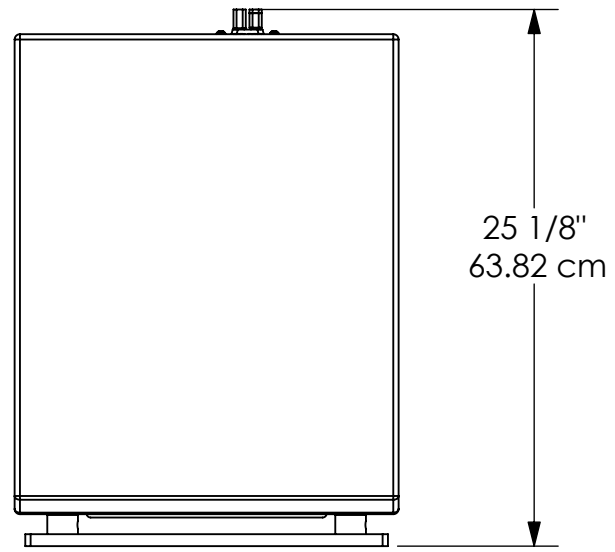


# Unpowered WatchDog

THE INFORMATION CONTAINED IN THIS DRAWING IS THE SOLE PROPERTY OF WILSON AUDIO SPECIALTIES ANY REPRODUCTION IN PART OR WHOLE WITHOUT THE WRITTEN PERMISSION OF WILSON AUDIO SPECIALTIES IS PROHIBITED.

REVISIONS			
REV.	DESCRIPTION	DATE	APPROVED



UNLESS OTHERWISE SPECIFIED  
DIMENSIONS ARE IN INCHES  
TOLERANCES ARE:  
FRACTIONS DECIMALS ANGLES  
+ - 1/32 .035 .5  
MATERIAL  
FINISH  
DO NOT SCALE DRAWING

CAD GENERATED DRAWING,  
DO NOT MANUALLY UPDATE

APPROVALS	DATE
DRAWN BS	
CHECKED	
RESP ENG	
MFG ENG	
QUAL ENG	

**WILSON AUDIO**  
Engineering Dept.

DWG. Name  
**Unpowered Watch Dog**

SIZE	DWG. NO.	REV.
Scale 1:8	CAD FILE:	SHEET 1 OF 1